

# NATURAL LIGHT TUBULAR SKYLIGHTS

*The Difference is Night and Day!*



*Dark warehouses and commercial office buildings are no match for Natural Light's 21" tubular skylights. Installed on virtually any type of roof surface in under two hours, our 21" commercial units are capable of delivering up to 1400 watts of light without the heat gain or loss of standard framed-in skylights.*



**25 YEAR PRODUCT WARRANTY**

**ICBO TESTED & APPROVED**

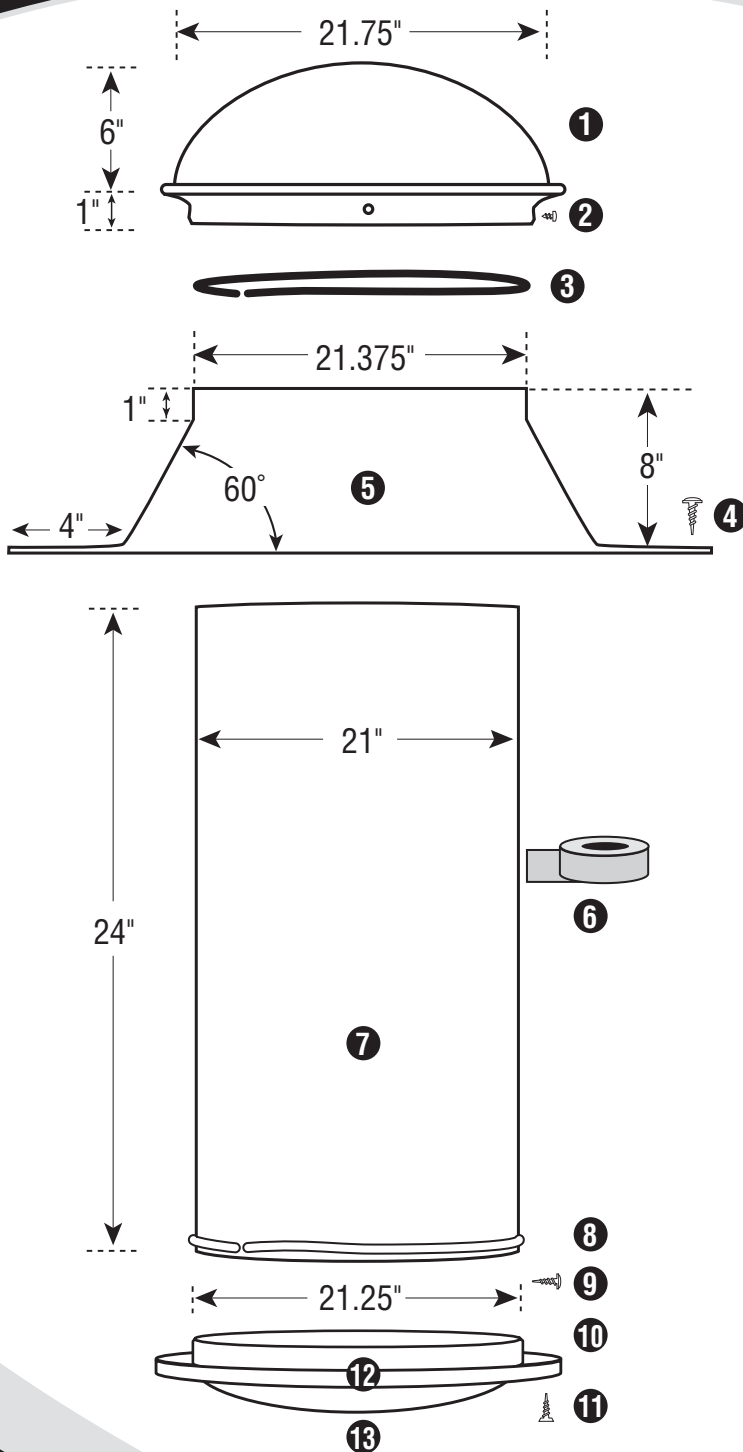
**FLORIDA BUILDING CODE APPROVED**

**HURRICANE TESTED & APPROVED**

 **Natural Light**  
ENERGY SYSTEMS

[www.nltubular.com](http://www.nltubular.com)

# 21" Tubular Skylight Technical Specifications



## 21" FLAT ROOF FLASHING

1. Clear UV Protected, 100% High Impact Modified Acrylic Dome
2. (4) Philips Head Stainless Steel 1/4" Sheet Metal Screws
3. Black Nylon Horse Hair Gasket (Self-Adhesive Backed)
4. (6) Philips Head Stainless Steel 1 1/2" Screws
5. 1100 Series, .080" Thickness, Aircraft Grade Aluminum Flashing
6. Heavy Duty Foil Tape
7. Light Pipe, (2) 24" Sections per Kit
8. White Nylon Horse Hair Gasket (Self-adhesive Backed)
9. (6) Tek Screws
10. (3) Black Speed Nuts
11. (3) 1 1/2" Phillips Screws
12. White Powder Coated Aluminum Trim Ring/Ceiling Ring
13. High Impact Acrylic Soft White or Prismatic Diffuser

### COVERAGE AREA

up to 700 sq. ft.

### WATTAGE OUTPUT EQUIVALENT

up to 1450 watts

### MAXIMUM TUBE LIGHT LENGTH

20 feet

**ICBO**  
Approved

  
Made in USA

## WAREHOUSE 21" TRIM RING

for suspended installations in open ceilings

